



AC Axial Fan & Blower

Shyuan Ya's axial fans feature aluminum housing fiber glass reinforced impellers. Each impeller is made of reinforced polyamide fiber glass and comes standard. Each fan comes standard with long-life maintenance-free dual ball bearings. This line comes in five models ranging from 23 models ranging from 80 by 25 mm to 254 by 89 mm, delivering up to 835 cfm of airflow power.





80x80x25mm A8C25T Series AC Axial Fan



Specification:

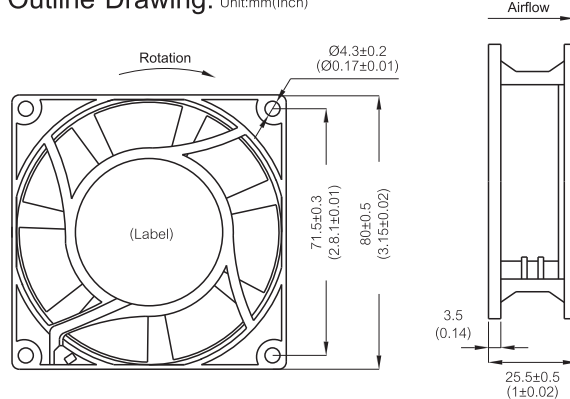
Air Flow	18 ~ 22 CFM
Housing	Die-Cast Aluminum, Painted Black
Impeller	Thermoplastic PBT, UL94V-0
Bearing	Ball or Sleeve
Termination	Terminals or Lead Wire
Operating Voltage Range	85VAC to 125VAC for 115V Type 185VAC to 245 VAC for 230V Type
Insulation	Class "B" or "F"
Safety	Impedance Protected
Operating Temperature	-10°C to + 70°C for Sleeve Type -20°C to + 80°C for Ball Type
Weight	223g



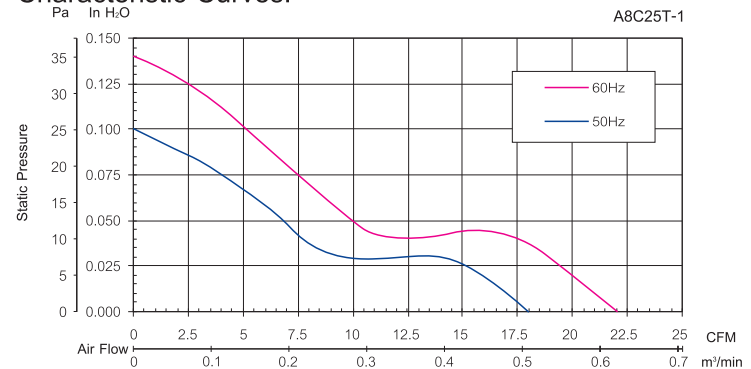
Item Code	Bearing Availability	Rated Voltage	Frequency (Hz)	Rated Current(A)	Input Power(W)	Speed (RPM)	Air Flow (CFM)	Air Flow (m³/min)	Static Pressure (inch-H ₂ O)	Noise dB(A)
A1V8C25TBL-1	B	115V	50/60	0.07/0.06	6/5	2400/2900	18/22	0.50/0.60	0.10/0.14	25/32
A2V8C25TBL-1	B	230V	50/60	0.05/0.04	9/7	2400/3000	18/22	0.50/0.60	0.10/0.14	25/32
A1V8C25TSL-1	S	115V	50/60	0.09/0.08	8/7	2400/3000	18/22	0.50/0.60	0.10/0.14	25/32
A2V8C25TSL-1	S	230V	50/60	0.05/0.04	10/8	2400/2900	18/22	0.50/0.60	0.10/0.14	25/32

For "Terminal" version, change the "L" in the model number to "T"

Outline Drawing: Unit:mm(Inch)



Characteristic Curves:





80x80x38mm A8C38T Series AC Axial Fan



Specification:

Air Flow	26~ 31 CFM
Housing	Die-Cast Aluminum, Painted Black
Impeller	Thermoplastic PBT, UL94V-0
Bearing	Ball or Sleeve
Termination	Terminals or Lead Wire
Operating Voltage Range	85VAC to 125VAC for 115V Type 185VAC to 245 VAC for 230V Type
Insulation	Class "B" or "F"
Safety	Impedance Protected
Operating Temperature	-10°C to + 70°C for Sleeve Type -20°C to + 80°C for Ball Type
Weight(g)	232g

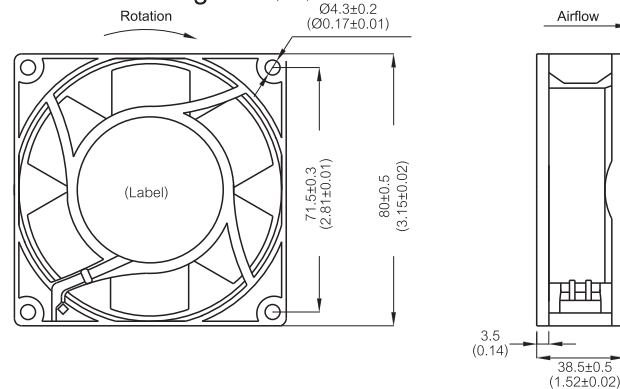


Item Code	Bearing Availability	Rated Voltage	Frequency (Hz)	Rated Current(A)	Input Power(W)	Speed (RPM)	Air Flow (CFM)	Air Flow (m³/min)	Static Pressure (inch-H ₂ O)	Noise dB(A)
A1V8C38TBL-1	B,S	115V	50/60	0.15/0.12	11/9	2700/3100	26/31	0.75/0.90	0.13/0.20	35/39
A2V8C38TBL-1	B,S	230V	50/60	0.08/0.06	11/9	2700/3100	26/31	0.75/0.90	0.13/0.20	35/39

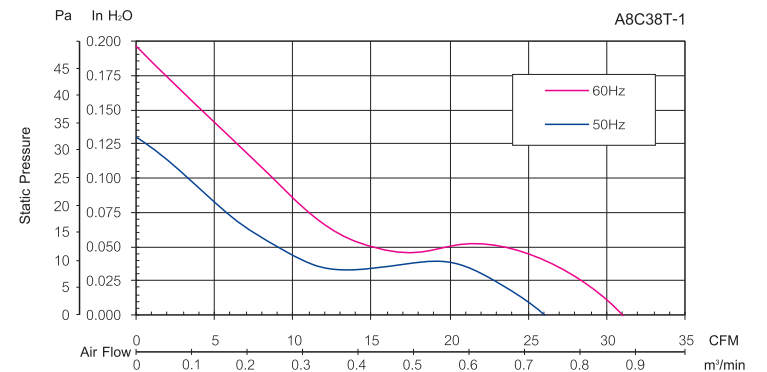
For "Sleeve" bearing version, change the "B" in the model number to "S".

For "Terminal" version, change the "L" in the model number to "T"

Outline Drawing: Unit:mm(Inch)



Characteristic Curves:





92x92x25mm A9C25T Series AC Axial Fan



Specification:

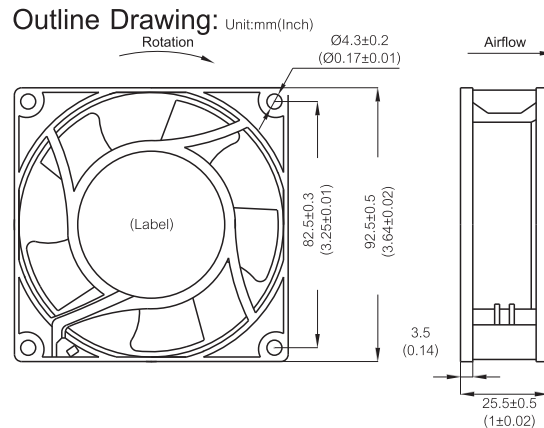
Air Flow	30 ~ 36 CFM
Housing	Die-Cast Aluminum, Painted Black
Impeller	Thermoplastic PBT, UL94V-0
Bearing	Ball or Sleeve
Termination	Terminals or Lead Wire
Operating Voltage Range	85VAC to 125VAC for 115V Type 185VAC to 245 VAC for 230V Type
Insulation	Class "B" or "F"
Safety	Impedance Protected
Operating Temperature	-10°C to + 70°C for Sleeve Type -20°C to + 80°C for Ball Type
Weight	300g



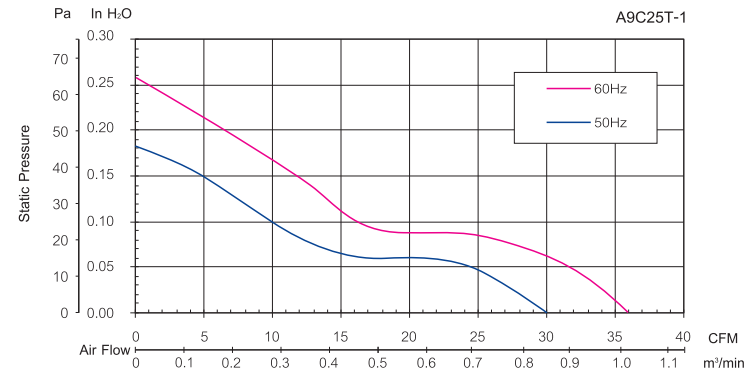
Item Code	Bearing Availability	Rated Voltage	Frequency (Hz)	Rated Current(A)	Input Power(W)	Speed (RPM)	Air Flow (CFM)	Air Flow (m³/min)	Static Pressure (inch-H ₂ O)	Noise dB(A)
A1V9C25TBL-1	B,S	115V	50/60	0.14/0.11	11/9	2700/3200	30/36	0.85/1.00	0.18/0.26	40/45
A2V9C25TBL-1	B,S	230V	50/60	0.07/0.06	12/10	2600/3100	30/36	0.85/1.00	0.18/0.26	40/45

For "Sleeve" bearing version, change the "B" in the model number to "S".

For "Terminal" version, change the "L" in the model number to "T"



Characteristic Curves:





92x92x38mm A9C38T Series AC Axial Fan



Specification:

Air Flow	42~ 49 CFM
Housing	Die-Cast Aluminum, Painted Black
Impeller	Thermoplastic PBT, UL94V-0
Bearing	Ball or Sleeve
Termination	Terminals or Lead Wire
Operating Voltage Range	85VAC to 125VAC for 115V Type 185VAC to 245 VAC for 230V Type
Insulation	Class "B" or "F"
Safety	Impedance Protected
Operating Temperature	-10°C to + 70°C for Sleeve Type -20°C to + 80°C for Ball Type
Weight(g)	446g

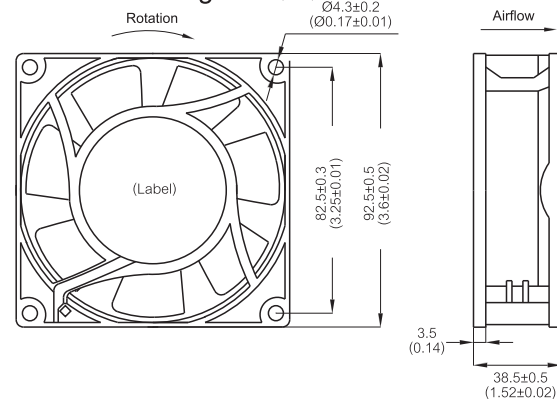


Item Code	Bearing Availability	Rated Voltage	Frequency (Hz)	Rated Current(A)	Input Power(W)	Speed (RPM)	Air Flow (CFM)	Air Flow (m³/min)	Static Pressure (inch-H ₂ O)	Noise dB(A)
A1V9C38TBL-1	B,S	115V	50/60	0.19/0.15	14/11	2800/3200	42/49	1.20/1.40	0.20/0.28	40/45
A2V9C38TBL-1	B,S	230V	50/60	0.10/0.08	15/12	2800/3200	42/49	1.20/1.40	0.20/0.28	40/45

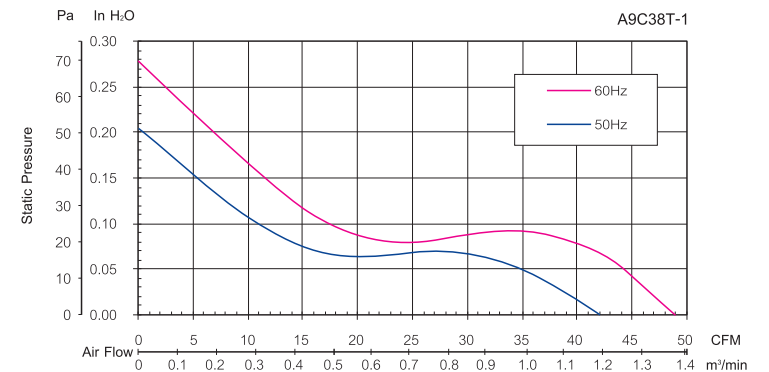
For "Sleeve" bearing version, change the "B" in the model number to "S".

For "Terminal" version, change the "L" in the model number to "T"

Outline Drawing: Unit:mm(Inch)



Characteristic Curves:





120x120x25mm A12C25T Series AC Axial Fan



Specification:

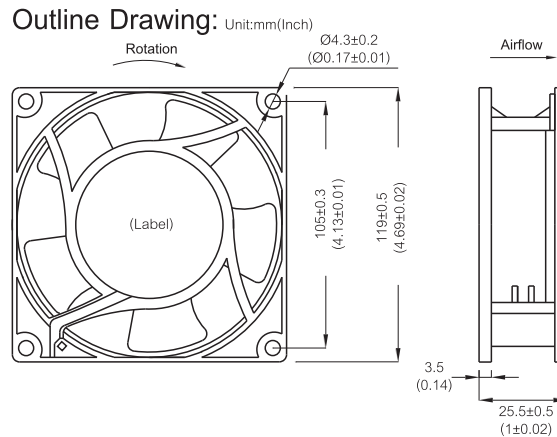
Air Flow	61 ~ 72 CFM
Housing	Die-Cast Aluminum, Painted Black
Impeller	Thermoplastic PBT, UL94V-0
Bearing	Ball or Sleeve
Termination	Terminals or Lead Wire
Operating Voltage Range	85VAC to 125VAC for 115V Type 185VAC to 245 VAC for 230V Type
Insulation	Class "B" or "F"
Safety	Impedance Protected
Operating Temperature	-10°C to + 70°C for Sleeve Type -20°C to + 80°C for Ball Type
Weight	346g



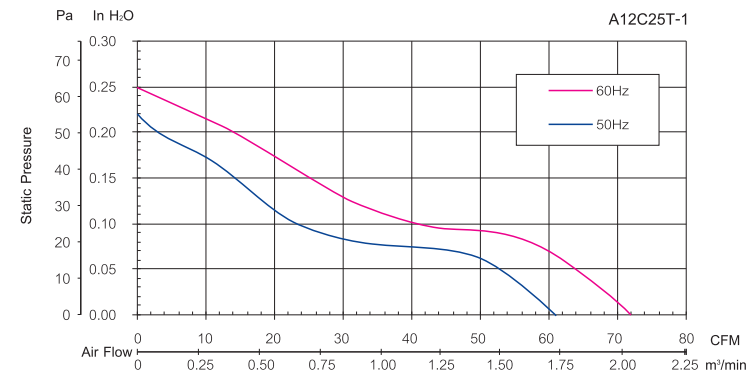
Item Code	Bearing Availability	Rated Voltage	Frequency (Hz)	Rated Current(A)	Input Power(W)	Speed (RPM)	Air Flow (CFM)	Air Flow (m³/min)	Static Pressure (inch-H ₂ O)	Noise dB(A)
A1V12C25TBL-1	B,S	115V	50/60	0.15/0.12	13/10	2600/3100	61/72	1.80/2.00	0.22/0.25	42/45
A2V12C25TBL-1	B,S	230V	50/60	0.07/0.06	13/10	2600/3000	61/72	1.80/2.00	0.22/0.25	42/45

For "Sleeve" bearing version, change the "B" in the model number to "S".

For "Terminal" version, change the "L" in the model number to "T"



Characteristic Curves:



120x120x38mm A12C38T Series AC Axial Fan



Specification:

Air Flow	103 ~ 117 CFM
Housing	Die-Cast Aluminum, Painted Black
Impeller	Thermoplastic PBT, UL94V-0
Bearing	Ball or Sleeve
Termination	Terminals or Lead Wire
Operating Voltage Range	85VAC to 125VAC for 115V Type 185VAC to 245 VAC for 230V Type
Insulation	Class "B" or "F"
Safety	Impedance Protected
Operating Temperature	-10°C to + 70°C for Sleeve Type -20°C to + 80°C for Ball Type
Weight(g)	515g

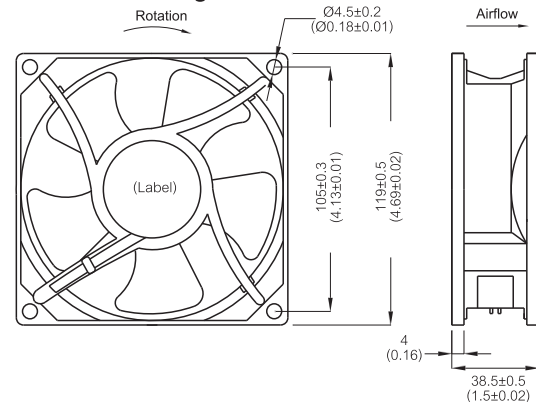


Item Code	Bearing Availability	Rated Voltage	Frequency (Hz)	Rated Current(A)	Input Power(W)	Speed (RPM)	Air Flow (CFM)	Air Flow (m³/min)	Static Pressure (inch-H ₂ O)	Noise dB(A)
A1V12C38TBL-1	B,S	115V	50/60	0.22/0.18	16/14	2700/3000	103/117	2.90/3.30	0.31/0.26	43/47
A2V12C38TBL-1	B,S	230V	50/60	0.11/0.09	16/14	2700/3100	103/117	2.90/3.30	0.31/0.26	43/47

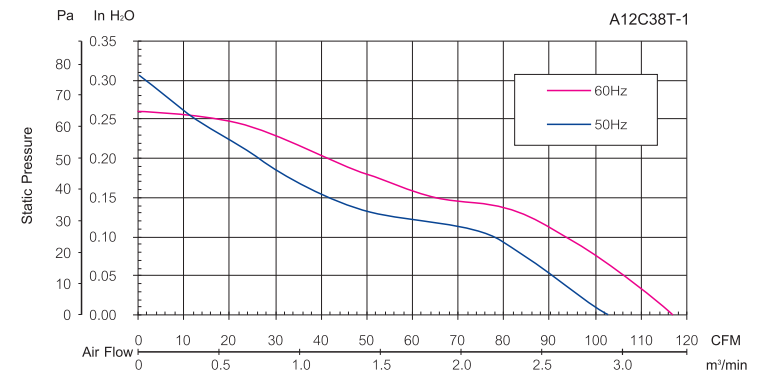
For "Sleeve" bearing version, change the "B" in the model number to "S".

For "Terminal" version, change the "L" in the model number to "T"

Outline Drawing: Unit:mm(Inch)



Characteristic Curves:





120x120x38mm A12C38T Series AC Axial Fan



Specification:

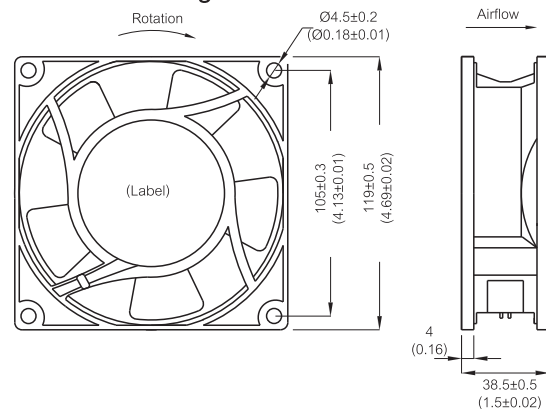
Air Flow	85 ~ 97 CFM
Housing	Die-Cast Aluminum, Painted Black
Impeller	Thermoplastic PBT, UL94V-0
Bearing	Ball or Sleeve
Termination	Terminals or Lead Wire
Operating Voltage Range	85VAC to 125VAC for 115V Type 185VAC to 245 VAC for 230V Type
Insulation	Class "B" or "F"
Safety	Impedance Protected
Operating Temperature	-10°C to + 70°C for Sleeve Type -20°C to + 80°C for Ball Type
Weight	515g



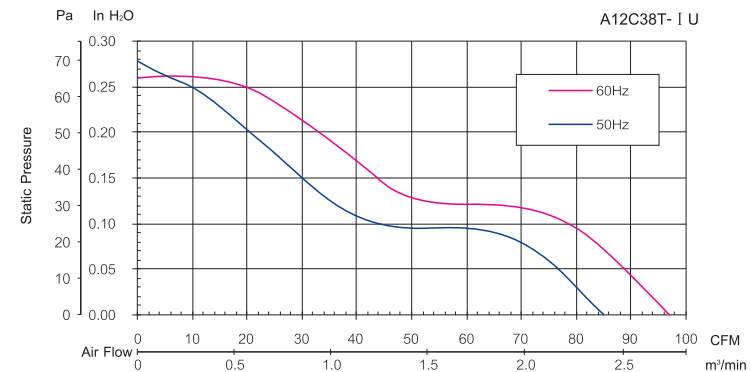
Item Code	Bearing Availability	Rated Voltage	Frequency (Hz)	Rated Current(A)	Input Power(W)	Speed (RPM)	Air Flow (CFM)	Air Flow (m ³ /min)	Static Pressure (inch-H ₂ O)	Noise dB(A)
A1V12C38TBL- IU	B,S	115V	50/60	0.26/0.21	20/16	2600/3000	85/97	2.40/2.80	0.28/0.26	44/48
A2V12C38TBL- IU	B,S	230V	50/60	0.13/0.10	20/16	2700/3100	85/97	2.40/2.80	0.28/0.26	44/48

For "Sleeve" bearing version, change the "B" in the model number to "S".
For "Terminal" version, change the "L" in the model number to "T"

Outline Drawing: Unit:mm(Inch)



Characteristic Curves:





120x120x38mm A12C38T Series AC Axial Fan



Specification:

Air Flow	81 ~ 83 CFM
Housing	Die-Cast Aluminum, Painted Black
Impeller	Thermoplastic PBT, UL94V-0
Bearing	Ball or Sleeve
Termination	Terminals or Lead Wire
Operating Voltage Range	85VAC to 125VAC for 115V Type 185VAC to 245 VAC for 230V Type
Insulation	Class "B" or "F"
Safety	Impedance Protected
Operating Temperature	-10°C to + 70°C for Sleeve Type -20°C to + 80°C for Ball Type
Weight	515g

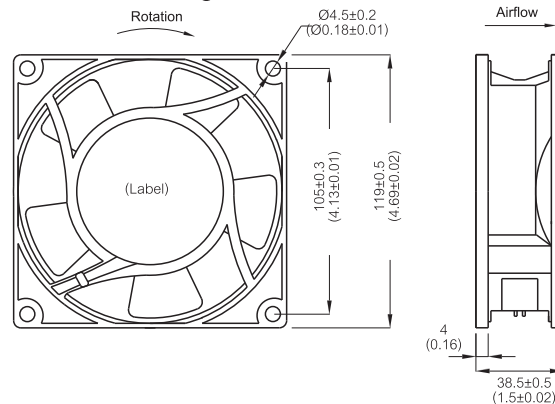


Item Code	Bearing Availability	Rated Voltage	Frequency (Hz)	Rated Current(A)	Input Power(W)	Speed (RPM)	Air Flow (CFM)	Air Flow (m³/min)	Static Pressure (inch-H ₂ O)	Noise dB(A)
A1V12C38TBL-II	B,S	115V	50/60	0.14/0.13	11/11	2500/2500	83/81	2.30/2.20	0.20/0.09	43/42
A2V12C38TBL-II	B,S	230V	50/60	0.07/0.06	12/11	2500/2500	83/81	2.30/2.20	0.20/0.09	43/42

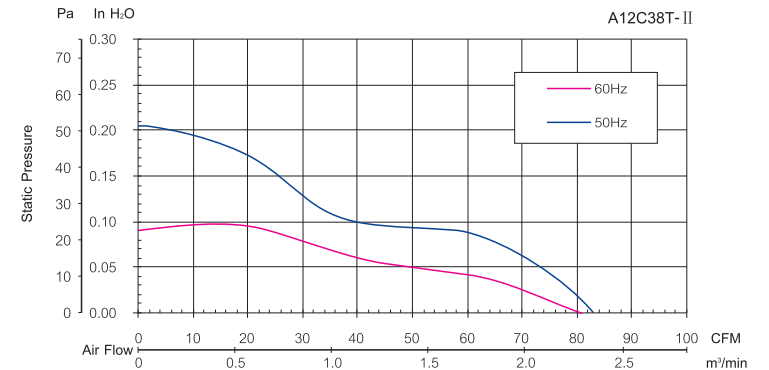
For "Sleeve" bearing version, change the "B" in the model number to "S".

For "Terminal" version, change the "L" in the model number to "T"

Outline Drawing: Unit:mm(Inch)



Characteristic Curves:





120x120x38mm A12C38T Series AC Axial Fan



Specification:

Air Flow	61 ~ 64 CFM
Housing	Die-Cast Aluminum, Painted Black
Impeller	Thermoplastic PBT, UL94V-0
Bearing	Ball or Sleeve
Termination	Terminals or Lead Wire
Operating Voltage Range	85VAC to 125VAC for 115V Type 185VAC to 245 VAC for 230V Type
Insulation	Class "B" or "F"
Safety	Impedance Protected
Operating Temperature	-10°C to + 70°C for Sleeve Type -20°C to + 80°C for Ball Type
Weight	515g

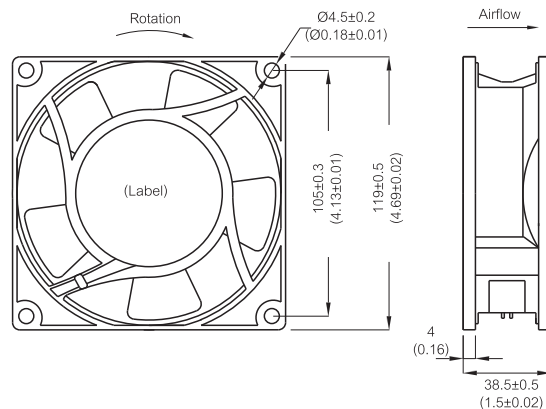


Item Code	Bearing Availability	Rated Voltage	Frequency (Hz)	Rated Current(A)	Input Power(W)	Speed (RPM)	Air Flow (CFM)	Air Flow (m³/min)	Static Pressure (inch-H ₂ O)	Noise dB(A)
A1V12C38TBL-III	B,S	115V	50/60	0.13/0.11	11/10	2000/1900	61/64	1.70/1.80	0.11/0.08	34/35
A2V12C38TBL-III	B,S	230V	50/60	0.07/0.06	12/10	1900/2000	61/64	1.70/1.80	0.11/0.08	34/35

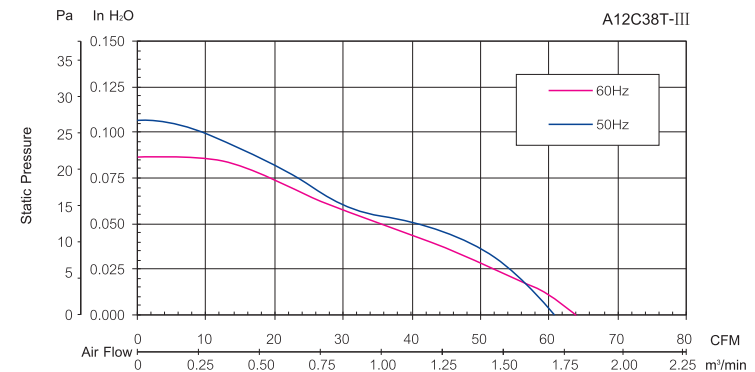
For "Sleeve" bearing version, change the "B" in the model number to "S".

For "Terminal" version, change the "L" in the model number to "T"

Outline Drawing: Unit:mm(Inch)



Characteristic Curves:





120x120x38mm A12C38T Series AC Axial Fan



Specification:

Air Flow	56 ~ 61 CFM
Housing	Die-Cast Aluminum, Painted Black
Impeller	Thermoplastic PBT, UL94V-0
Bearing	Ball or Sleeve
Termination	Terminals or Lead Wire
Operating Voltage Range	85VAC to 125VAC for 115V Type 185VAC to 245 VAC for 230V Type
Insulation	Class "B" or "F"
Safety	Impedance Protected
Operating Temperature	-10°C to + 70°C for Sleeve Type -20°C to + 80°C for Ball Type
Weight	515g

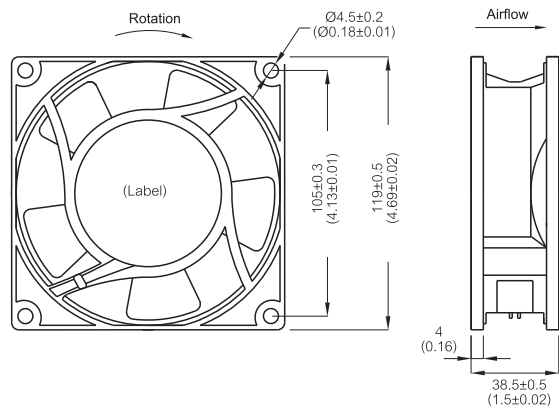


Item Code	Bearing Availability	Rated Voltage	Frequency (Hz)	Rated Current(A)	Input Power(W)	Speed (RPM)	Air Flow (CFM)	Air Flow (m³/min)	Static Pressure (inch-H ₂ O)	Noise dB(A)
A1V12C38TBL-IV	B,S	115V	50/60	0.08/0.07	7/6	1900/1700	61/56	1.70/1.50	0.09/0.07	34/33
A2V12C38TBL-IV	B,S	230V	50/60	0.05/0.04	9/8	1900/1800	59/59	1.60/1.60	0.09/0.07	33/33

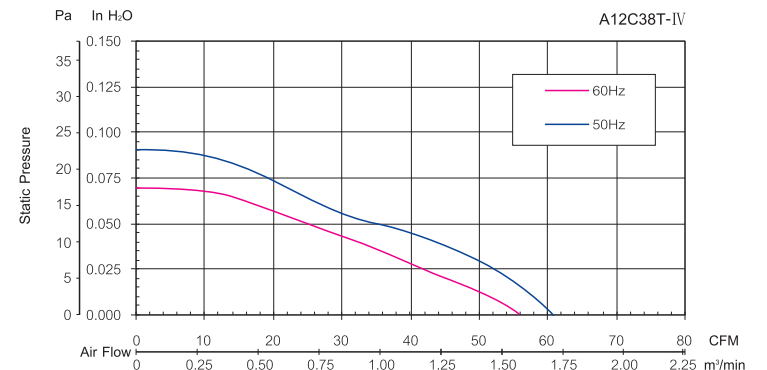
For "Sleeve" bearing version, change the "B" in the model number to "S".

For "Terminal" version, change the "L" in the model number to "T"

Outline Drawing: Unit:mm(Inch)



Characteristic Curves:



127x127x38mm A13C38T Series AC Axial Fan



Specification:

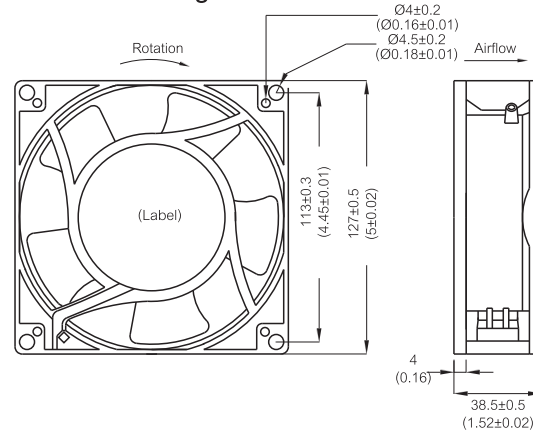
Air Flow	107 ~ 123 CFM
Housing	Die-Cast Aluminum, Painted Black
Impeller	Thermoplastic PBT, UL94V-0
Bearing	Ball or Sleeve
Termination	Terminals or Lead Wire
Operating Voltage Range	85VAC to 125VAC for 115V Type 185VAC to 245 VAC for 230V Type
Insulation	Class "B" or "F"
Safety	Impedance Protected
Operating Temperature	-10°C to + 70°C for Sleeve Type -20°C to + 80°C for Ball Type
Weight	562g



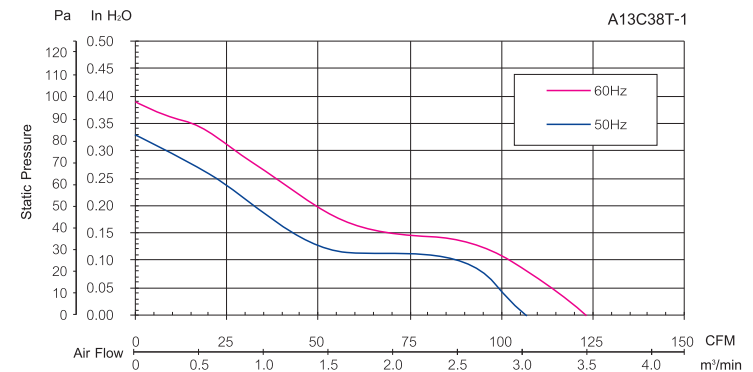
Item Code	Bearing Availability	Rated Voltage	Frequency (Hz)	Rated Current(A)	Input Power(W)	Speed (RPM)	Air Flow (CFM)	Air Flow (m³/min)	Static Pressure (inch-H ₂ O)	Noise dB(A)
A1V13C38TBL-1	B,S	115V	50/60	0.32/0.26	24/20	2700/3100	107/123	3.00/3.40	0.33/0.39	47/50
A2V13C38TBL-1	B,S	230V	50/60	0.16/0.13	25/20	2700/3100	107/123	3.00/3.40	0.33/0.39	47/50

For "Sleeve" bearing version, change the "B" in the model number to "S".
For "Terminal" version, change the "L" in the model number to "T"

Outline Drawing: Unit:mm(Inch)



Characteristic Curves:





151x172x38mm A15C38T Series AC Axial Fan



Specification:

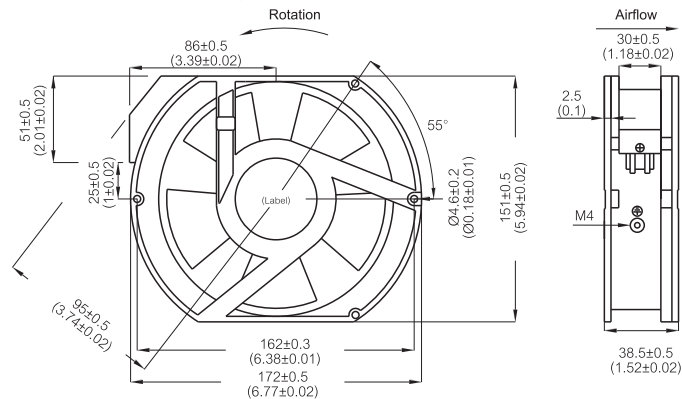
Air Flow	99 ~ 229 CFM
Housing	Die-Cast Aluminum, Painted Black
Impeller	Thermoplastic PBT, UL94V-0
Bearing	Ball
Termination	Terminals or Lead Wire
Operating Voltage Range	85VAC to 125VAC for 115V Type 185VAC to 245 VAC for 230V Type
Insulation	Class "B" or "F"
Safety	Thermally Protected (Auto Restart)
Operating Temperature	-20°C to + 80°C
Weight	693g

Item Code	Rated Voltage	Frequency (Hz)	Rated Current(A)	Input Power(W)	Speed (RPM)	Air Flow (CFM)	Air Flow (m³/min)	Static Pressure (inch-H ₂ O)	Noise dB(A)
A1V15C38TBL-1C	115V	50/60	0.22/0.29	25/32	2900/3300	198/225	5.60/6.40	0.64/0.47	58/62
A2V15C38TBL-1C	230V	50/60	0.11/0.14	25/31	2900/3400	198/229	5.60/6.50	0.64/0.70	58/62
A1V15C38TBL-4C	115V	50/60	0.15/0.15	16/16	1450/1735	100/119	2.80/3.40	0.18/0.25	40/45
A2V15C38TBL-4C	230V	50/60	0.06/0.07	14/13	1450/1730	99/117	2.80/3.30	0.18/0.24	40/45

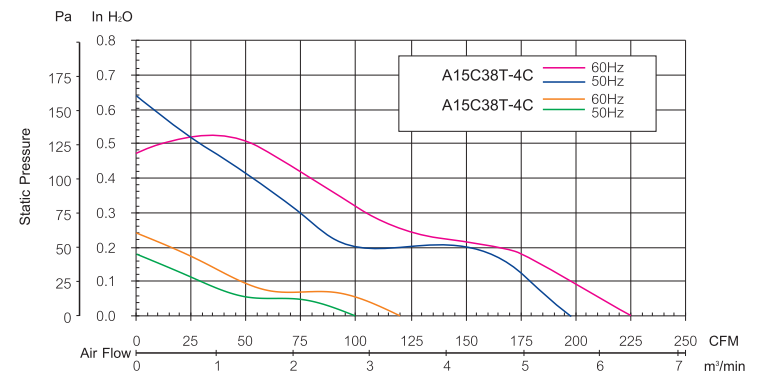


For "Terminal" version, change the "L" in the model number to "T"

Outline Drawing: Unit:mm(Inch)



Characteristic Curves:





151x172x51mm A15C51T Series AC Axial Fan



Specification:

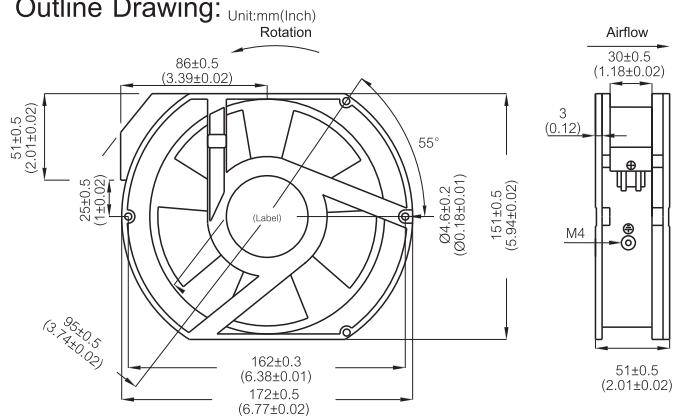
Air Flow	178 ~ 212 CFM
Housing	Die-Cast Aluminum, Painted Black
Impeller	Thermoplastic PBT, UL94V-0
Bearing	Ball
Termination	Terminals or Lead Wire
Operating Voltage Range	85VAC to 125VAC for 115V Type 185VAC to 245 VAC for 230V Type
Insulation	Class "B" or "F"
Safety	Thermally protected (Auto Restart)/ Impedance Protected
Operating Temperature	-20°C to + 80°C
Weight	875g



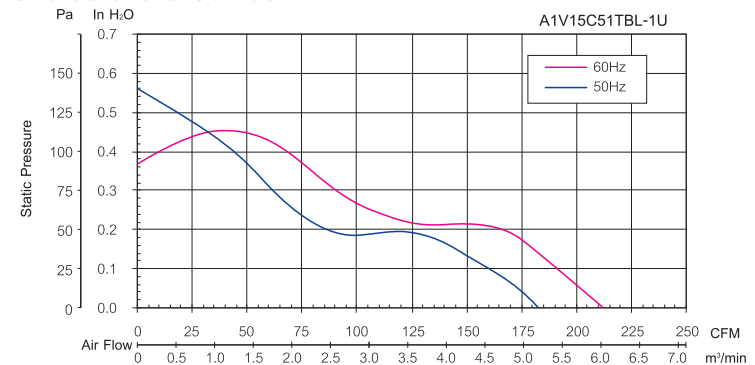
Item Code	Rated Voltage	Frequency (Hz)	Rated Current(A)	Input Power(W)	Speed (RPM)	Air Flow (CFM)	Air Flow (m³/min)	Static Pressure (inch-H ₂ O)	Noise dB(A)
A1V15C51TBL-1U	115V	50/60	0.76/0.53	47/36	2800/3300	178/210	5.00/5.90	0.56/0.37	54/58
A2V15C51TBL-1U	230V	50/60	0.41/0.29	51/39	2800/3300	183/212	5.20/6.00	0.56/0.37	54/58

For "Terminal" version, change the "L" in the model number to "T"

Outline Drawing:



Characteristic Curves:





151x172x51mm A15C51T Series AC Axial Fan



Specification:

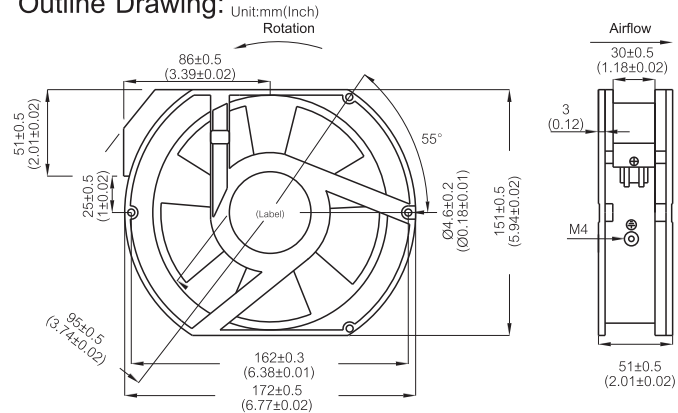
Air Flow	261 ~ 295 CFM
Housing	Die-Cast Aluminum, Painted Black
Impeller	Thermoplastic PBT, UL94V-0
Bearing	Ball
Termination	Terminals or Lead Wire
Operating Voltage Range	85VAC to 125VAC for 115V Type 185VAC to 245 VAC for 230V Type
Insulation	Class "B" or "F"
Safety	Thermally protected (Auto Restart)/ Impedance Protected
Operating Temperature	-20°C to + 80°C
Weight	875g



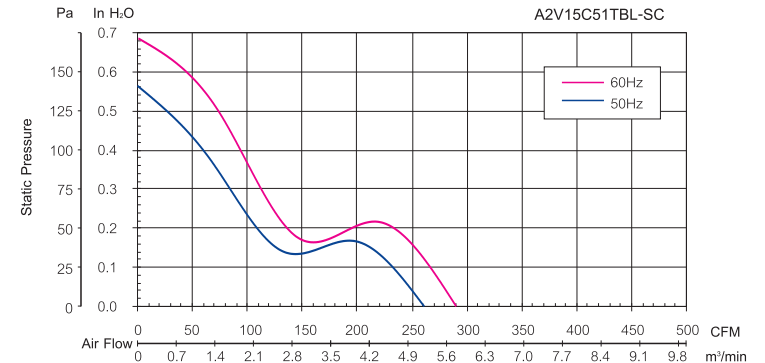
Item Code	Rated Voltage	Frequency (Hz)	Rated Current(A)	Input Power(W)	Speed (RPM)	Air Flow (CFM)	Air Flow (m³/min)	Static Pressure (inch-H ₂ O)	Noise dB(A)
A1V15C51TBL-SC	115V	50/60	—	—	—	—	—	—	—
A2V15C51TBL-SC	230V	50/60	0.19/0.23	40/52	2777/3106	261/295	5.20/6.00	0.56/0.69	54/58

For "Terminal" version, change the "L" in the model number to "T"

Outline Drawing: Unit:mm(Inch)



Characteristic Curves:





151x172x51mm A15C51T Series AC Axial Fan



Specification:

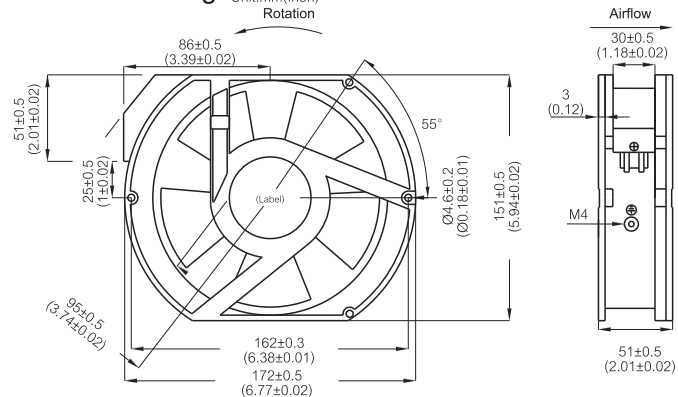
Air Flow	99 ~ 230 CFM
Housing	Die-Cast Aluminum, Painted Black
Impeller	Thermoplastic PBT, UL94V-0
Bearing	Ball
Termination	Terminals or Lead Wire
Operating Voltage Range	85VAC to 125VAC for 115V Type 185VAC to 245 VAC for 230V Type
Insulation	Class "B" or "F"
Safety	Thermally protected (Auto Restart)/ Impedance Protected
Operating Temperature	-20°C to + 80°C
Weight	875g

Item Code	Rated Voltage	Frequency (Hz)	Rated Current(A)	Input Power(W)	Speed (RPM)	Air Flow (CFM)	Air Flow (m³/min)	Static Pressure (inch-H ₂ O)	Noise dB(A)
A1V15C51TBL-1C	115V	50/60	0.22/0.28	25/31	2900/3300	198/226	5.60/6.40	0.66/0.40	57/61
A2V15C51TBL-1C	230V	50/60	0.11/0.15	25/32	2900/3300	198/230	5.60/6.50	0.66/0.64	57/61
A1V15C51TBL-4C	115V	50/60	0.15/0.15	17/16	1455/1470	99/118	2.80/3.40	0.18/0.26	39/45
A2V15C51TBL-4C	230V	50/60	0.06/0.07	14/14	1455/1735	99/119	2.80/3.40	0.18/0.25	39/44

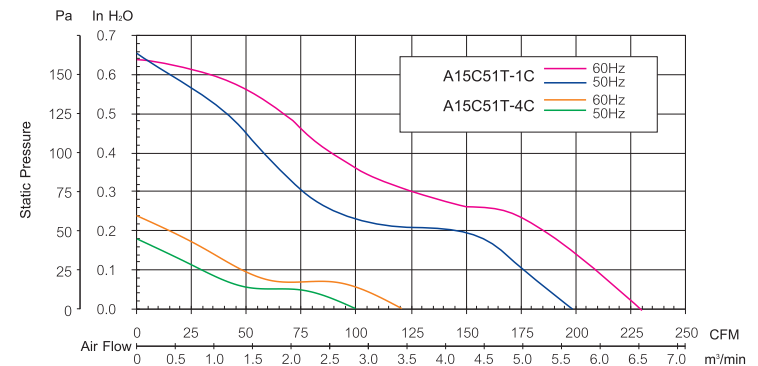


For "Terminal" version, change the "L" in the model number to "T"

Outline Drawing: Unit:mm(Inch)



Characteristic Curves:



150x170x55mm A15C55T Series AC Axial Fan



Specification:

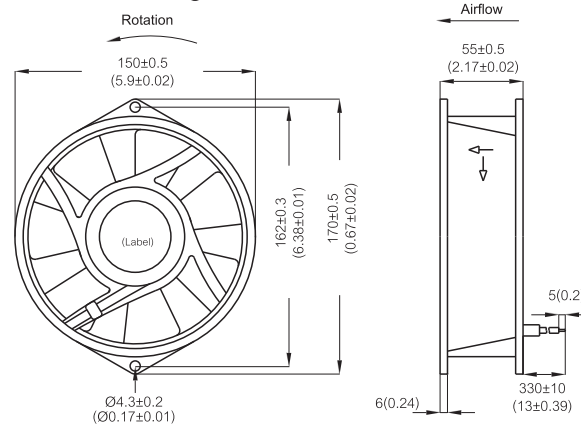
Air Flow	202 ~ 239 CFM
Housing	Die-Cast Aluminum, Painted Black
Impeller	Injection Molded of Flame Retardant Polycarbonate, Black
Bearing	Ball
Termination	Lead Wire
Operating Voltage Range	85VAC to 125VAC for 115V Type 185VAC to 245 VAC for 230V Type
Insulation	Class "B" or "F"
Safety	Thermally Protected (Auto Restart)
Operating Temperature	-20°C to + 80°C
Weight	1000g

(Reverse Blow)

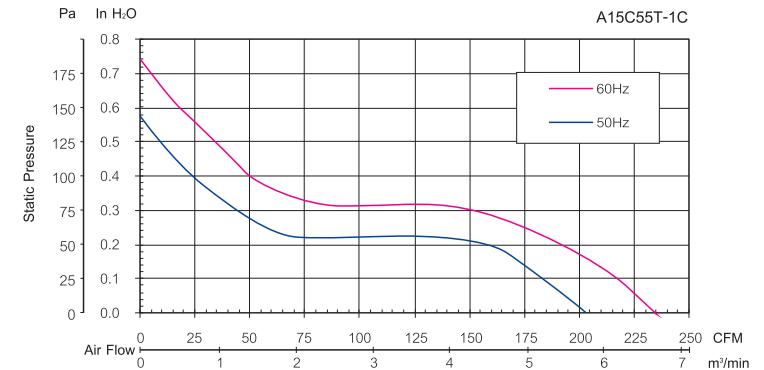


Item Code	Rated Voltage	Frequency (Hz)	Rated Current(A)	Input Power(W)	Speed (RPM)	Air Flow (CFM)	Air Flow (m ³ /min)	Static Pressure (inch-H ₂ O)	Noise dB(A)
A1V15C55TBL-1C	115V	50/60	0.34/0.38	38/44	2900/3400	204/235	5.80/6.70	0.58/0.74	57/61
A2V15C55TBL-1C	230V	50/60	0.17/0.19	37/43	2900/3400	202/239	5.70/6.80	0.58/0.74	57/61

Outline Drawing: Unit:mm(Inch)



Characteristic Curves:





160x160x62mm A16C62T Series AC Axial Fan



Specification:

Air Flow	261 ~ 307 CFM
Housing	Die-Cast Aluminum, Painted Black
Impeller	Injection Molded of Flame Retardant Polycarbonate, Black
Bearing	Ball
Termination	Terminals or Lead Wire
Operating Voltage Range	85VAC to 125VAC for 115V Type 185VAC to 245 VAC for 230V Type
Insulation	Class "B" or "F"
Safety	Thermally protected (Auto Restart)
Operating Temperature	-20°C to + 80°C
Weight	1400g

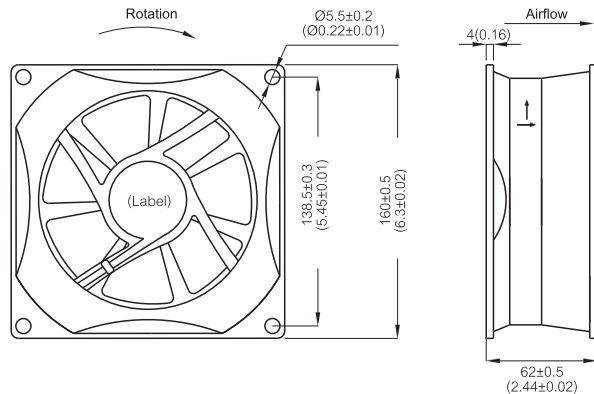
(Reverse Blow)



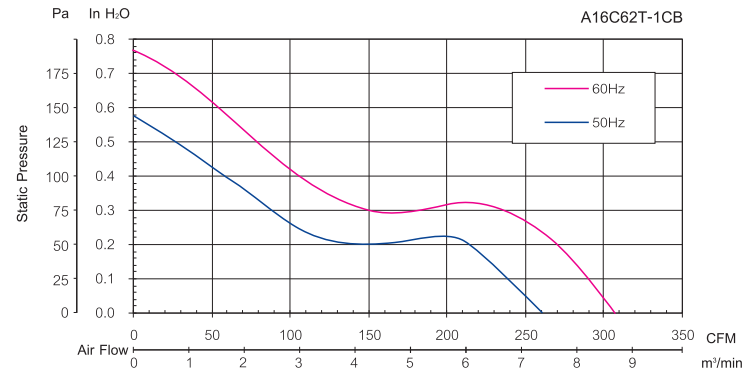
Item Code	Rated Voltage	Frequency (Hz)	Rated Current(A)	Input Power(W)	Speed (RPM)	Air Flow (CFM)	Air Flow (m³/min)	Static Pressure (inch-H ₂ O)	Noise dB(A)
A1V16C62TBL-1CB	115V	50/60	0.45/0.50	51/58	2900/3400	261/307	7.40/8.70	0.58/0.77	60/64
A2V16C62TBL-1CB	230V	50/60	0.23/0.25	51/57	2900/3400	261/305	7.40/8.60	0.58/0.77	60/64

For "Terminal" version, change the "L" in the model number to "T"

Outline Drawing: Unit:mm(Inch)



Characteristic Curves:



160x160x62mm A16C62T Series AC Axial Fan



Specification:

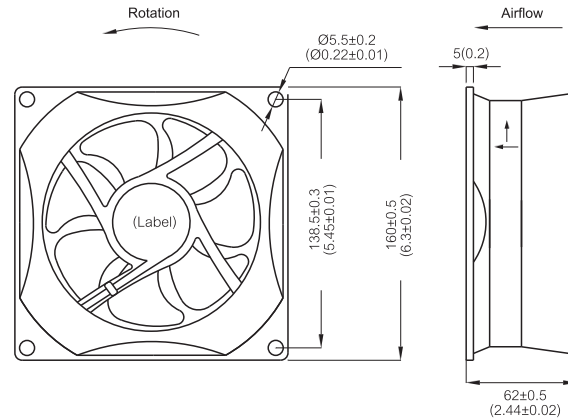
Air Flow	239 ~ 288 CFM
Housing	Die-Cast Aluminum, Painted Black
Impeller	Injection Molded of Flame Retardant Polycarbonate, Black
Bearing	Ball
Termination	Terminals or Lead Wire
Operating Voltage Range	85VAC to 125VAC for 115V Type 185VAC to 245 VAC for 230V Type
Insulation	Class "B" or "F"
Safety	Thermally Protected (Auto Restart)
Operating Temperature	-20°C to + 80°C
Weight	1400g



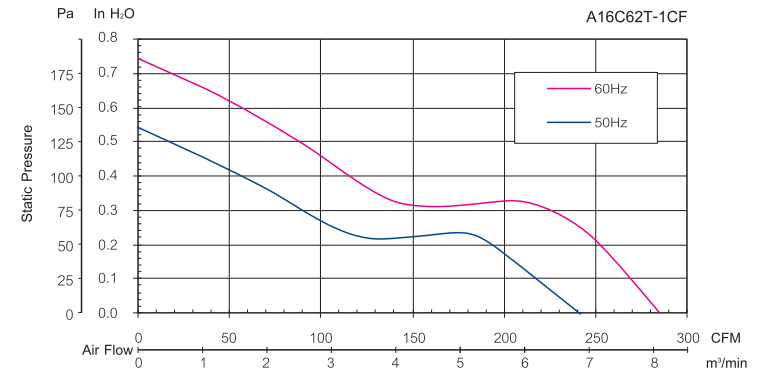
Item Code	Rated Voltage	Frequency (Hz)	Rated Current(A)	Input Power(W)	Speed (RPM)	Air Flow (CFM)	Air Flow (m ³ /min)	Static Pressure (inch-H ₂ O)	Noise dB(A)
A1V16C62TBL-1CF	115V	50/60	0.45/0.50	51/57	2900/3400	241/285	6.80/8.10	0.54/0.74	51/56
A2V16C62TBL-1CF	230V	50/60	0.23/0.24	50/55	2900/3500	239/288	6.70/8.20	0.54/0.74	51/56

For "Terminal" version, change the "L" in the model number to "T"

Outline Drawing: Unit:mm(Inch)



Characteristic Curves:





Ø170x51mm A17C51T Series AC Axial Fan



Specification:

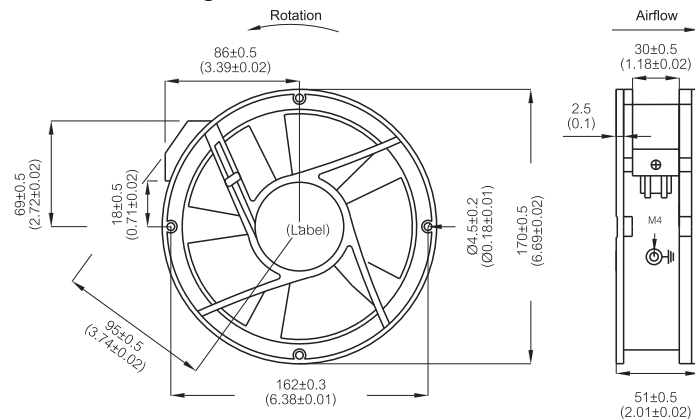
Air Flow	100 ~ 225 CFM
Housing	Die-Cast Aluminum, Painted Black
Impeller	Thermoplastic PBT, UL94V-0
Bearing	Ball
Termination	Terminals or Lead Wire
Operating Voltage Range	85VAC to 125VAC for 115V Type 185VAC to 245 VAC for 230V Type
Insulation	Class "B" or "F"
Safety	Thermally protected (Auto Restart)
Operating Temperature	-20°C to + 80°C
Weight	875g



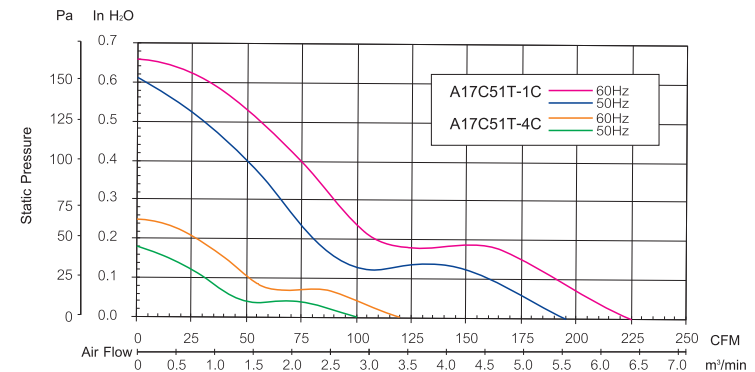
Item Code	Rated Voltage	Frequency (Hz)	Rated Current(A)	Input Power(W)	Speed (RPM)	Air Flow (CFM)	Air Flow (m³/min)	Static Pressure (inch-H ₂ O)	Noise dB(A)
A1V17C51TBL-1C	115V	50/60	0.22/0.28	25/31	2900/3400	195/225	5.57/6.42	0.61/0.39	57/61
A2V17C51TBL-1C	230V	50/60	0.11/0.14	24/30	2900/3300	195/225	5.57/6.42	0.61/0.66	57/61
A1V17C51TBL-4C	115V	50/60	0.15/0.15	17/16	1450/1750	100/121	2.83/3.41	0.18/0.25	39/44
A2V17C51TBL-4C	230V	50/60	0.06/0.06	14/13	1450/1750	101/120	2.85/3.41	0.18/0.25	39/44

For "Terminal" version, change the "L" in the model number to "T"
UL safety approval is for "Terminal" model version only.

Outline Drawing: Unit:mm(Inch)



Characteristic Curves:



180x180x65mm A18C65T Series AC Axial Fan



Specification:

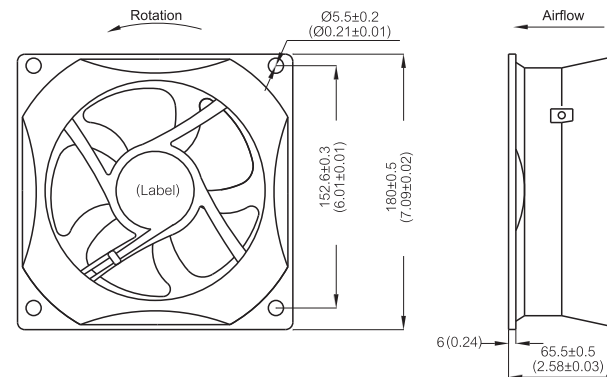
Air Flow	342 ~ 394 CFM
Housing	Die-Cast Aluminum, Painted Black
Impeller	Injection Molded of Flame Retardant Polycarbonate, Black
Bearing	Ball
Termination	Terminals or Lead Wire
Operating Voltage Range	85VAC to 125VAC for 115V Type 185VAC to 245 VAC for 230V Type
Insulation	Class "B" or "F"
Safety	Thermally Protected (Auto Restart)
Operating Temperature	-20°C to + 80°C
Weight	1600g



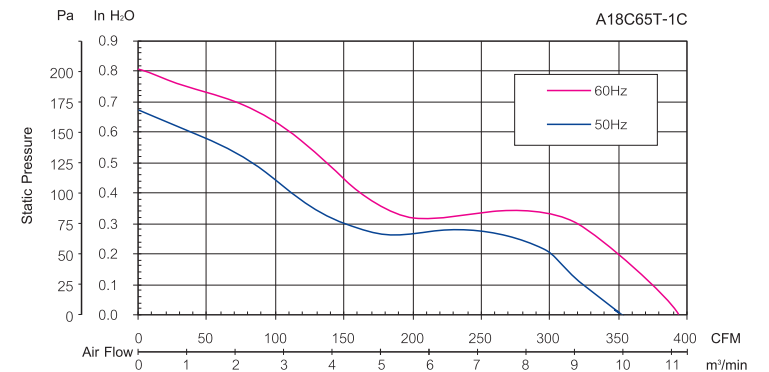
Item Code	Rated Voltage	Frequency (Hz)	Rated Current(A)	Input Power(W)	Speed (RPM)	Air Flow (CFM)	Air Flow (m³/min)	Static Pressure (inch-H ₂ O)	Noise dB(A)
A1V18C65TBL-1C	115V	50/60	0.49/0.66	56/74	2800/3150	342/365	9.70/10.30	0.67/0.61	58/61
A2V18C65TBL-1C	230V	50/60	0.26/0.33	58/76	2900/3300	352/394	9.90/11.10	0.67/0.81	58/61

For "Terminal" version, change the "L" in the model number to "T"

Outline Drawing: Unit:mm(Inch)



Characteristic Curves:



180x180x90mm A18C90T Series AC Axial Fan



Specification:

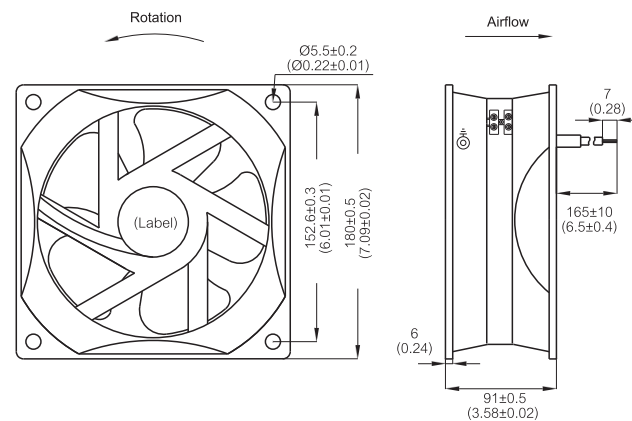
Air Flow	376 ~ 434 CFM
Housing	Die-Cast Aluminum, Painted Black
Impeller	Injection Molded of Flame Retardant Polycarbonate, Black
Bearing	Ball
Termination	Terminals or Lead Wire
Operating Voltage Range	85VAC to 125VAC for 115V Type 185VAC to 245 VAC for 230V Type
Insulation	Class "B" or "F"
Safety	Thermally protected (Auto Restart)
Operating Temperature	-20°C to + 80°C
Weight	1600g



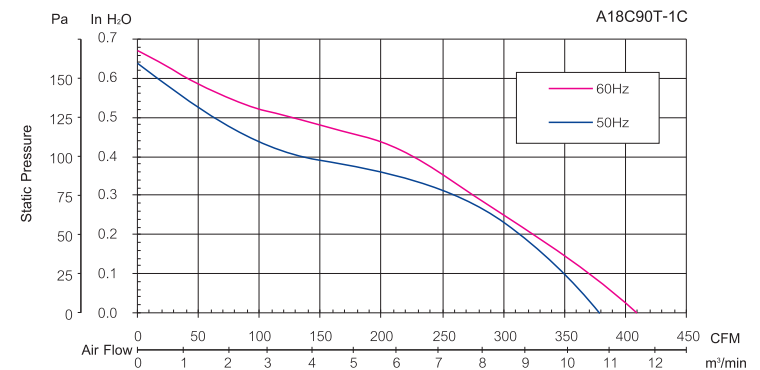
Item Code	Rated Voltage	Frequency (Hz)	Rated Current(A)	Input Power(W)	Speed (RPM)	Air Flow (CFM)	Air Flow (m ³ /min)	Static Pressure (inch-H ₂ O)	Noise dB(A)
A1V18C90TBL-1C	115V	50/60	0.47/0.66	57/77	2800/3000	376/409	10.60/11.60	0.64/0.67	58/61
A2V18C90TBL-1C	230V	50/60	0.25/0.33	58/76	2800/3200	378/434	10.70/12.30	0.79/0.73	58/62

For "Terminal" version, change the "L" in the model number to "T"

Outline Drawing: Unit:mm(Inch)



Characteristic Curves:





Ø254x89mm AA254C89T Series AC Axial Fan



Specification:

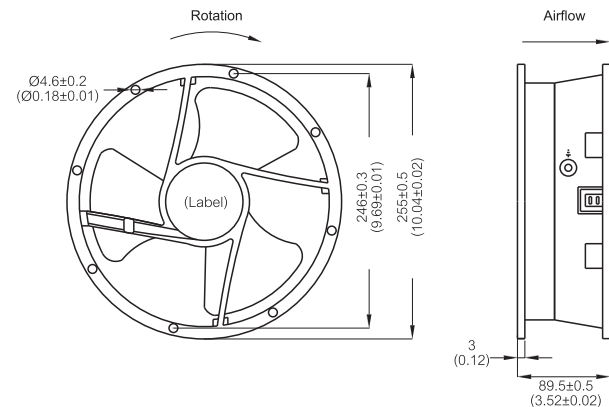
Air Flow	780 ~ 835 CFM
Housing	Die-Cast Aluminum, Painted Black
Impeller	Injection Molded of Flame Retardant Polycarbonate, Black
Bearing	Ball
Termination	Terminals or Lead Wire
Operating Voltage Range	85VAC to 125VAC for 115V Type 185VAC to 245 VAC for 230V Type
Insulation	Class "B" or "F"
Safety	Thermally protected (Auto Restart)
Operating Temperature	-30°C to + 80°C
Weight	1600g



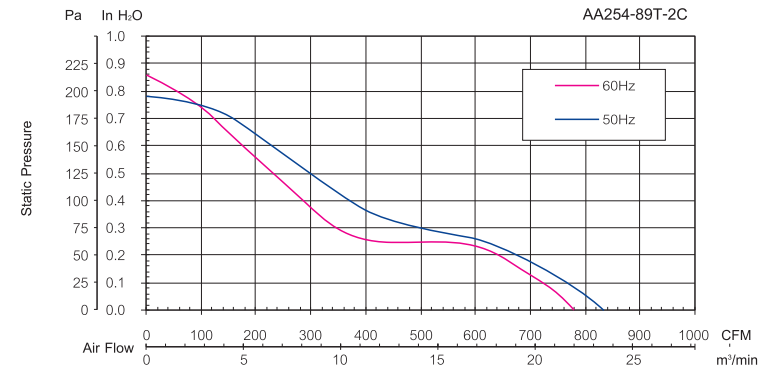
Item Code	Rated Voltage	Frequency (Hz)	Rated Current(A)	Input Power(W)	Speed (RPM)	Air Flow (CFM)	Air Flow (m ³ /min)	Static Pressure (inch-H ₂ O)	Noise dB(A)
AA1V254-89T-FPD-BL3-2C	115V	50/60	0.95/1.15	97/129	2550/2700	780/834	22.10/23.60	0.86/0.78	68/70
AA2V254-89T-FPD-BL3-2C	230V	50/60	0.55/0.60	98/130	2600/2700	785/835	22.20/23.60	0.86/0.78	68/70

For "Terminal" version, change the "L" in the model number to "T"

Outline Drawing: Unit:mm(Inch)



Characteristic Curves:





Ø254x89mm A25C89T Series AC Axial Fan



Specification:

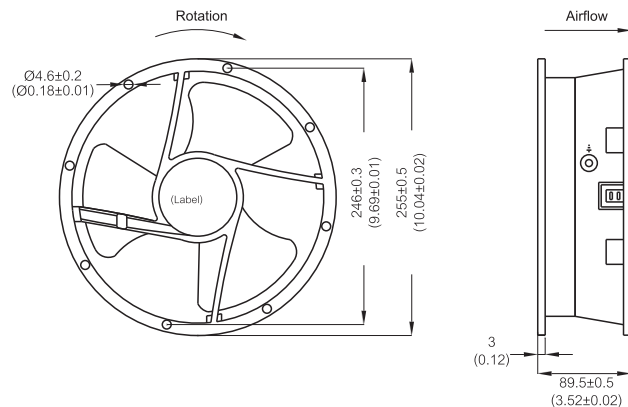
Air Flow	443 ~ 529 CFM
Housing	Die-Cast Aluminum, Painted Black
Impeller	Injection Molded of Flame Retardant Polycarbonate, Black
Bearing	Ball
Termination	Terminals or Lead Wire
Operating Voltage Range	85VAC to 125VAC for 115V Type 185VAC to 245 VAC for 230V Type
Insulation	Class "B" or "F"
Safety	Thermally protected (Auto Restart)
Operating Temperature	-30°C to + 80°C
Weight	1600g



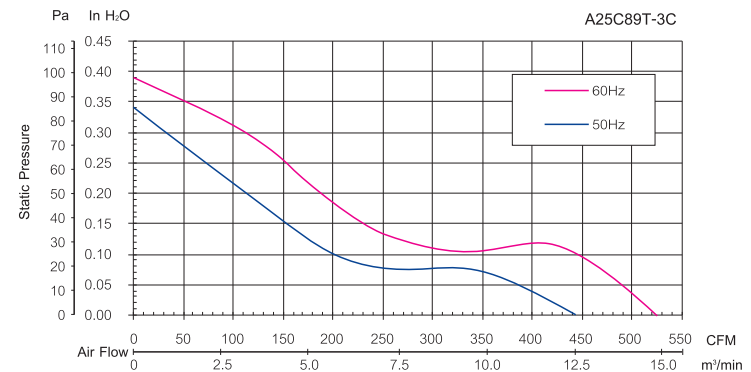
Item Code	Rated Voltage	Frequency (Hz)	Rated Current(A)	Input Power(W)	Speed (RPM)	Air Flow (CFM)	Air Flow (m³/min)	Static Pressure (inch-H ₂ O)	Noise dB(A)
A1V25C89TBL-3C	115V	50/60	0.35/0.36	38/40	1400/1700	443/525	12.50/14.90	0.34/0.27	49/53
A2V25C89TBL-3C	230V	50/60	0.19/0.18	39/40	1400/1700	445/529	12.60/15.00	0.34/0.39	49/53

For "Terminal" version, change the "L" in the model number to "T"

Outline Drawing: Unit:mm(Inch)



Characteristic Curves:





225x225x80mm

AA200-80T Series AC Square Axial Fan

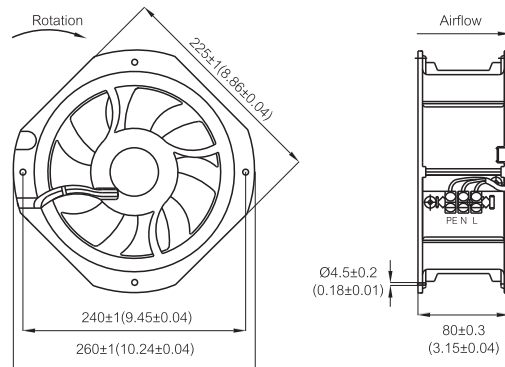


Specification:

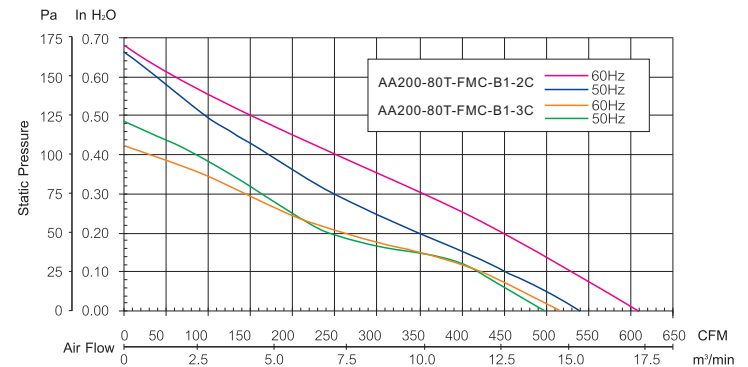
Air Flow	497~611 CFM
Housing	Die-cast Aluminum
Blades	Sheet-Steel, Welded onto Rotor
Bearing	Dual Ball Bearing, Permanently Lubricated
Termination	Terminals
Operating Voltage Range	85VAC to 125VAC for 115V Type 185VAC to 245 VAC for 230V Type
Insulation	Class "B" or "F"
Safety	Thermally Protected (Auto Restart)
Operating Temperature	-20°C to +60°C(Humidity 30%~85% RH)
Weight	1920g

Item Code	Rated Voltage	Frequency (Hz)	Rated Current(A)	Input Power(W)	Speed (RPM)	Air Flow (CFM)	Air Flow (m³/min)	Static Pressure (inch-H₂O)	Noise dB(A)	Capacitor (μF)
AA1V200-80T-FMC-B1-2C	115V	50/60	0.68/0.65	66/74	2480/2830	538/611	15.2/17.3	0.68/0.69	60/63	6μF 200VAC
AA2V200-80T-FMC-B1-2C	230V	50/60	0.33/0.33	66/75	2490/2820	538/609	15.2/17.2	0.68/0.69	60/63	1.5μF 400VAC
AA1V200-80T-FMC-B1-3C	115V	50/60	0.40/0.53	46/60	2360/2450	499/517	14.1/14.7	0.48/0.42	58/59	6μF 200VAC
AA2V200-80T-FMC-B1-3C	230V	50/60	0.20/0.26	44/58	2360/2440	497/517	14.0/14.7	0.48/0.42	58/59	1.5μF 400VAC

Outline Drawing: Unit:mm(Inch)



Characteristic Curves:



280x280x80mm

AA250-80T Series

AC Square Axial Fan



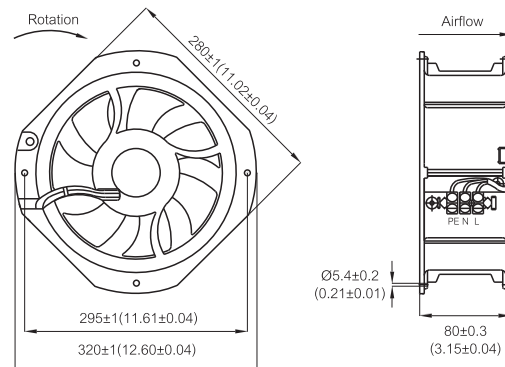
Specification:

Air Flow	1058~1170 CFM
Housing	Die-cast Aluminum
Blades	Sheet-Steel,Welded onto Rotor
Bearing	Dual Ball Bearing, Permanently Lubricated
Termination	Terminals
Operating Voltage Range	85VAC to 125VAC for 115V Type 185VAC to 245 VAC for 230V Type
Insulation	Class "B" or "F"
Safety	Thermally Protected (Auto Restart)
Operating Temperature	-20°C to +50°C (Humidity 30%~85% RH)
Weight	2760g

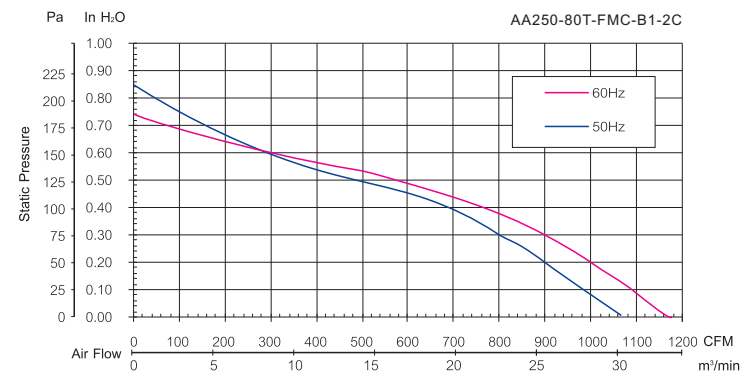


Item Code	Rated Voltage	Frequency (Hz)	Rated Current(A)	Input Power(W)	Speed (RPM)	Air Flow (CFM)	Air Flow (m³/min)	Static Pressure (inch-H ₂ O)	Noise dB(A)	Capacitor (μF)
AA1V250-80T-FMC-B1-2C	115V	50/60	1.14/1.60	129/180	2560/2820	1065/1170	30.2/33.1	0.84/0.75	68/70	16μF 200VAC
AA2V250-80T-FMC-B1-2C	230V	50/60	0.57/0.79	130/179	2550/2810	1058/1162	30.0/32.9	0.84/0.75	68/70	4μF 400VAC

Outline Drawing: Unit:mm(Inch)



Characteristic Curves:





370x370x88mm

AA250-80T Series

AC Square Plate Axial Fan



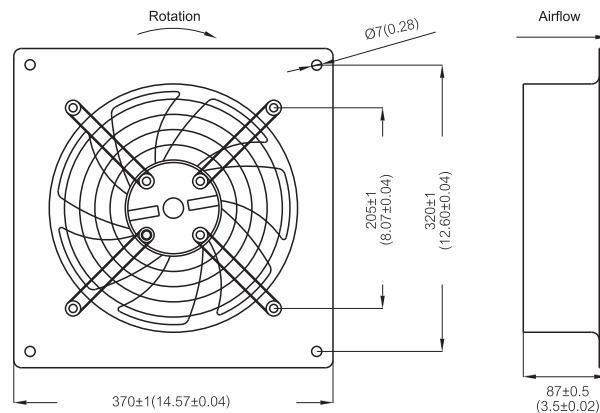
Specification:

Air Flow	941~990 CFM
Housing	All Metal Construction, Painted Black
Blades	Sheet-Steel, Welded onto Rotor
Bearing	Dual Ball Bearing, Permanently Lubricated
Termination	Lead Wire
Operating Voltage Range	85VAC to 125VAC for 115V Type 185VAC to 245 VAC for 230V Type
Insulation	Class "B" or "F"
Safety	Thermally Protected (Auto Restart)
Operating Temperature	-20°C to +50°C (Humidity 30%~85% RH)
Weight	4000g

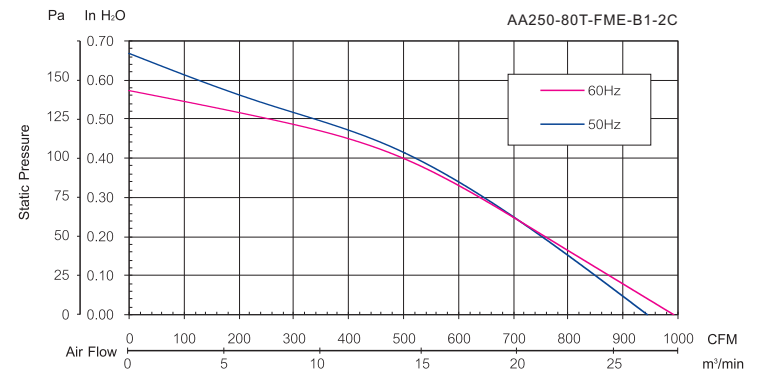


Item Code	Rated Voltage	Frequency (Hz)	Rated Current(A)	Input Power(W)	Speed (RPM)	Air Flow (CFM)	Air Flow (m³/min)	Static Pressure (inch-H ₂ O)	Noise dB(A)	Capacitor (μF)
AA1V250-80T-FME-B1-2C	115V	50/60	1.07/1.38	120/157	2390/2520	941/990	26.7/28.0	0.65/0.56	73/74	12μF 200VAC
AA2V250-80T-FME-B1-2C	230V	50/60	0.55/0.70	124/160	2390/2520	948/983	26.9/27.8	0.65/0.56	73/74	3μF 400VAC

Outline Drawing: Unit:mm(Inch)



Characteristic Curves:





Ø320x88mm AA250-80T Series AC Round Plate Axial Fan



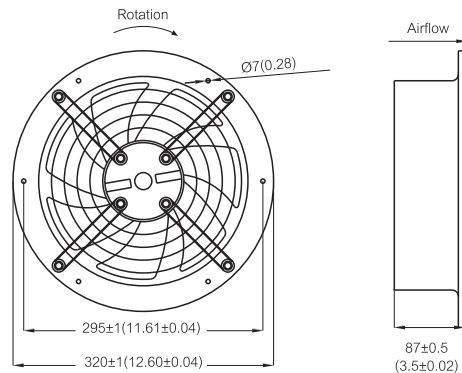
Specification:

Air Flow	941~990 CFM
Housing	All Metal Construction, Painted Black
Blades	Sheet-Steel,Welded onto Rotor
Bearing	Dual Ball Bearing, Permanently Lubricated
Termination	Lead Wire
Operating Voltage Range	85VAC to 125VAC for 115V Type 185VAC to 245 VAC for 230V Type
Insulation	Class "B" or "F"
Safety	Thermally Protected (Auto Restart)
Operating Temperature	-20°C to +50°C (Humidity 30%~85% RH)
Weight	3350g



Item Code	Rated Voltage	Frequency (Hz)	Rated Current(A)	Input Power(W)	Speed (RPM)	Air Flow (CFM)	Air Flow (m³/min)	Static Pressure (inch-H ₂ O)	Noise dB(A)	Capacitor (µF)
AA1V250-80T-FMF-B1-2C	115V	50/60	1.07/1.38	120/157	2390/2520	941/990	26.7/28.0	0.66/0.54	73/74	12µF 200VAC
AA2V250-80T-FMF-B1-2C	230V	50/60	0.55/0.70	124/160	2390/2520	948/983	26.9/27.8	0.66/0.54	73/74	3µF 400VAC

Outline Drawing: Unit:mm(Inch)



Characteristic Curves:

